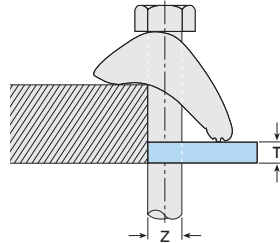
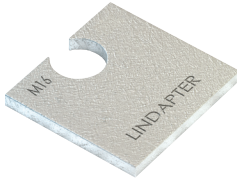


# Packing Pieces and Plate Details for Type LS

Stainless steel packing pieces are available to increase the clamping range of the Type LS, please select the correct packing combination from the table below. This page also contains information for designing location / end plates.

## Packing Pieces

### Type LSP2



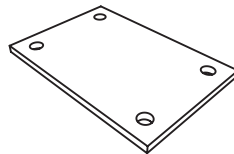
Material: Stainless steel grade 316.

Product Code	Bolt Size Z	Dimension T
LLS037P2	3/8"	3/8"
LLS050P2	1/2"	3/8"
LLS062P2	5/8"	3/8"
LLS075P2	3/4"	3/8"

## Location Plate

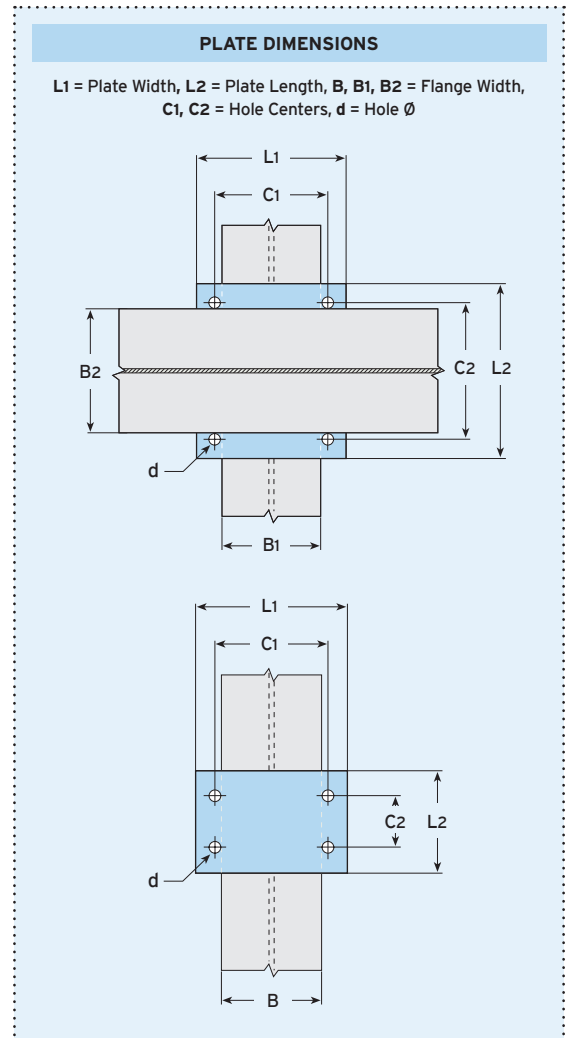
### What is it?

Location plates are simple fabricated items designed to sit between the two sections to be clamped together to ensure the bolts are fixed at the correct centers.



Material: Stainless steel grade 316.

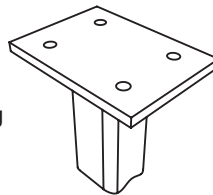
Bolt Size	Hole Ø d	Plate Thickness	Hole Centers C1	Length / Width min L1	Hole Centers C2	Length / Width min L2
3/8"	7/16"	3/8"	B1 + 7/16"	B1 + 2 3/4"	B2 + 7/16"	B2 + 2 3/4"
1/2"	9/16"	1/2"	B1 + 9/16"	B1 + 3 1/8"	B2 + 9/16"	B2 + 3 1/8"
5/8"	11/16"	5/8"	B1 + 11/16"	B1 + 4"	B2 + 11/16"	B2 + 4"
3/4"	13/16"	3/4"	B1 + 13/16"	B1 + 5 1/8"	B2 + 13/16"	B2 + 5 1/8"



## End Plate

### What is it?

End plates are simple fabricated items that are pre-welded to support frames, bracket or sections, allowing connection to the supporting structure with standard Lindapter clamps.



Material: Stainless steel grade 316.

Bolt Size	Hole Ø d	Plate Thickness <sup>1)</sup>	Hole Centers C1	Length / Width min L1	Hole Centers C2	Length / Width min L2
3/8"	7/16"	3/8"	B + 7/16"	B + 2 3/4"	3 1/8"	C2 + 2 3/8"
1/2"	9/16"	5/8"	B + 9/16"	B + 3 1/8"	3 1/8"	C2 + 2 3/8"
5/8"	11/16"	3/4"	B + 11/16"	B + 4"	4 3/8"	C2 + 3 1/8"
3/4"	13/16"	1"	B + 13/16"	B + 5 1/8"	4 3/4"	C2 + 3 9/16"

1) Depending on the type of connection and associated end plate use, the thickness may need to be modified to comply with accepted local design codes.

Use Lindapter's Bolt Length Calculator on [page 6](#) to calculate the correct bolt length for your application.