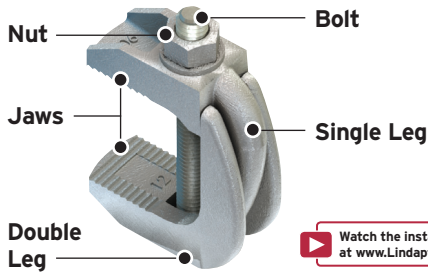
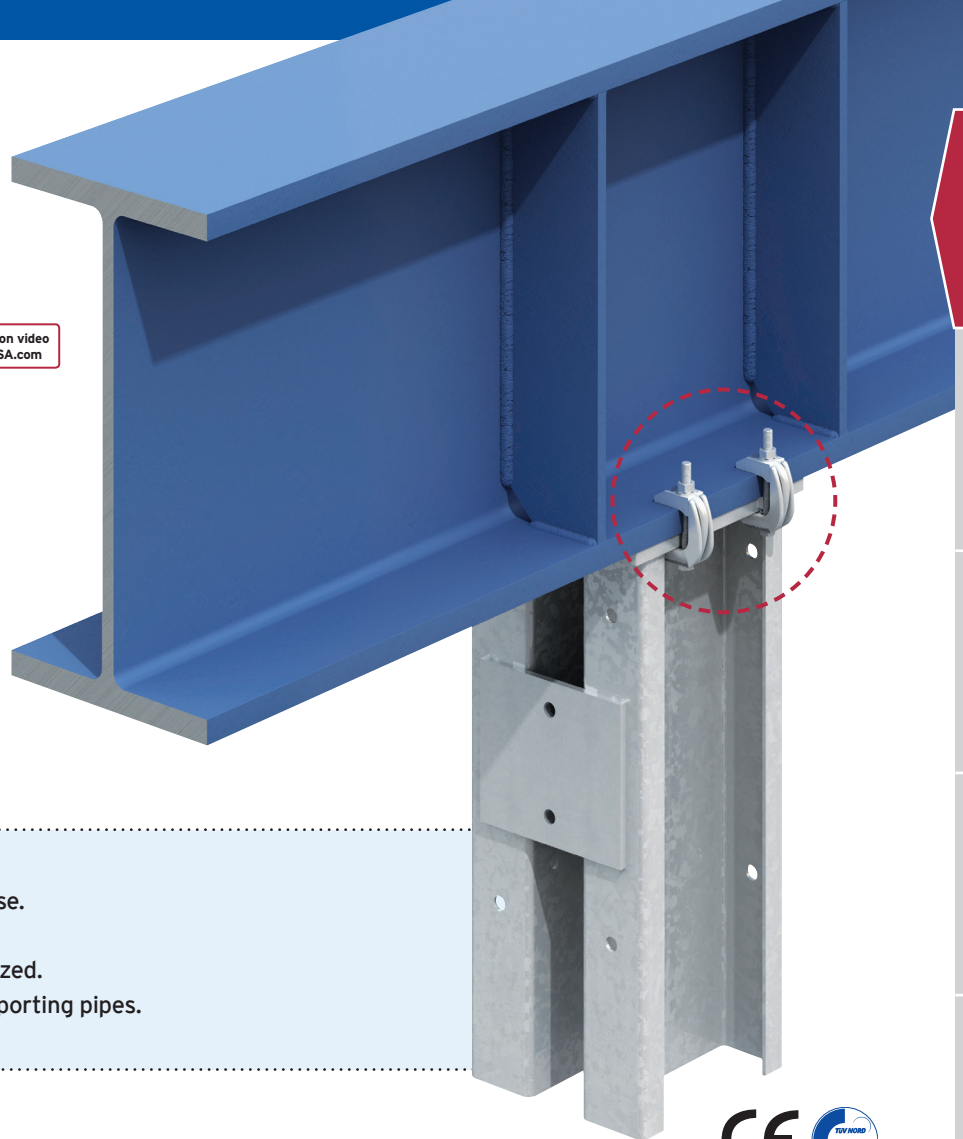
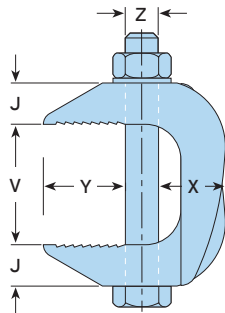


Type F9

A flange clamp for connecting parallel running steel sections with flanges of the same width. Can be used with bolts or threaded rod.



▶ Watch the installation video at www.LindapterUSA.com



- Fast, cost effective installation.
- Perfect for temporary or permanent use.
- Large clamping range.
- Available zinc plated or hot dip galvanized.
- Can be used with threaded rod for supporting pipes.
- Supplied with or without a metric bolt.

Material: Malleable iron, zinc plated / hot dip galvanized.



Without Bolt		With Bolt		Safe Working Loads (FOS 5:1) Tensile Resistance / 1 Bolt lbs	Tightening Torque* ft lb	Dimensions				
Product Code	Bolt / Rod Z	Product Code	Bolt Z			Clamping Range V	Y	J	X	Width
LF9037NB	3/8"	LF9037WB	M10 (3/8")	440	15	3/4" - 1 1/16"	1"	1/2"	3/4"	15/16"
LF9050NB	1/2"	LF9050WB	M12 (1/2")	630	29	1" - 2 3/8"	1 3/8"	1 1/16"	1 5/16"	1 3/16"
LF9062NB	5/8"	LF9062WB	M16 (5/8")	1260	69	1 1/8" - 2 3/4"	1 1/16"	1 3/16"	1 1/8"	1 3/8"
LF9075NB	3/4"	LF9075WB	M20 (3/4")	1880	131	1 1/4" - 3 1/4"	2"	1"	1 3/8"	1 3/4"
LF9100NBHDG ¹⁾	1"	LF9100WBHDG ¹⁾	M24 (1")	3147	173	1 3/4" - 3 3/4"	3"	1 1/2"	2 3/16"	2 1/2"

¹⁾ Available in Hot Dip Galvanized only.

* Torque figures based on bolts / setscrews in an unlubricated condition. For further information on lubricated fasteners see page 58.

- ▶ Not suitable for tapered flanges.
- ▶ Supplied without bolt or with bolt (contact your local distributor for details / options).