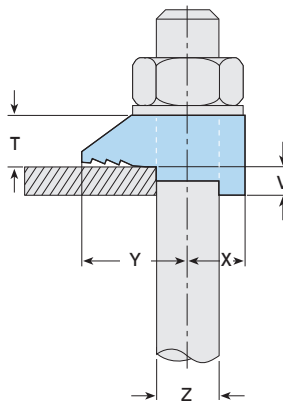
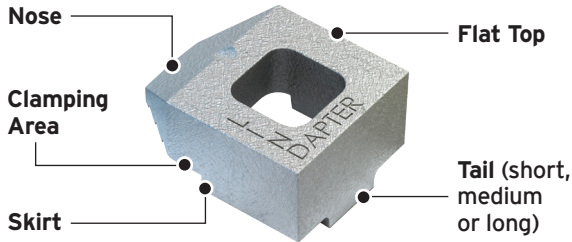
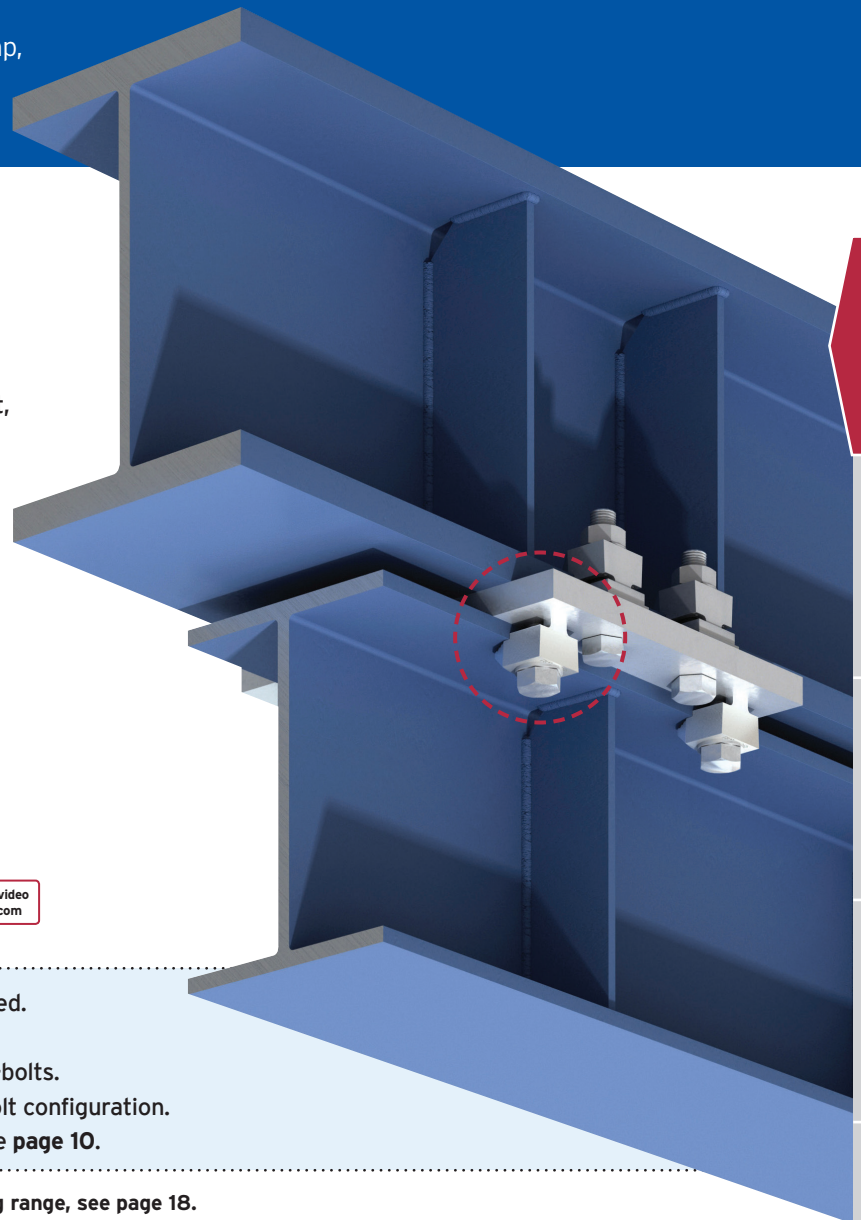


Type B

The flat-top version of Lindapter's standard clamp, for moderate tensile loading. Can also be used with Type A in a Girder Clamp configuration.



▶ Watch the installation video at www.LindapterUSA.com



- CE Mark, DIBt, Lloyd's Register and TÜV approved.
- Flat top allows the bolt head or nut to rotate.
- Suitable for use with bolts, studs, tie rods and J-bolts.
- Supports up to 17,720lbs tensile load in a four bolt configuration.
- For higher loads the Type AF should be used, see [page 10](#).

- ▶ Packing pieces are available to increase the clamping range, see [page 18](#).
- ▶ Location plate / end plate details can be found on [page 19](#).

Material: Malleable iron, zinc plated / hot dip galvanized.



Product Code	Bolt Grd. 5 / A325 Z	Safe Working Loads (FOS 5:1)			Tightening Torque*	Y	X	Dimensions			T	Width
		Tensile Resistance / 1 Bolt lbs	Slip Resistance / 2 Bolts lbs	Tail Length V								
				short				medium	long			
LB037 ¹⁾	3/8"	330	-	15	13/16"	7/16"	5/32"	3/16"	9/32"	3/8"	1"	
LB050	1/2"	1300	157	50	1"	1/2"	3/16"	1/4"	3/8"	1/2"	1 1/8"	
LB062	5/8"	1640	337	108	13/16"	5/8"	1/4"	5/16"	7/16"	5/8"	1 3/8"	
LB075	3/4"	3300	674	210	17/16"	3/4"	5/16"	3/8"	1/2"	3/4"	1 13/16"	
LB100	1"	4430	1012	362	17/8"	1"	3/8"	1/2"	5/8"	1"	2 1/8"	

1) Requires a hardened washer under the bolt head.

* Torque figures based on bolts / setscrews in an unlubricated condition. For further information on lubricated fasteners see [page 58](#).

Strut & Supply, Inc.
28005 W. Commercial Ave. Barrington, IL 60010
Ph: 847.756.4337 Fx: 847.304.1891
email: CustomerService@strutandsupply.com

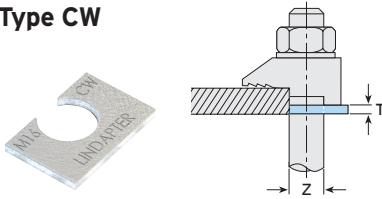
lindapter®

Packing Pieces for Types A and B

These packing pieces are compatible with the Type A and Type B clamps and are used to increase the clamping range to suit flange thicknesses. Types A and B are available with three different tail lengths (short, medium or long) and the correct combination of packing pieces should be used.

Packing Pieces

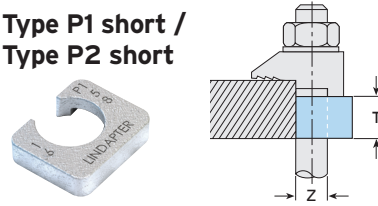
Type CW



Mild steel, zinc plated / hot dip galvanized.

Product Code	Bolt Size Z	Dimension T
LCW037	3/8"	1/16"
LCW050	1/2"	1/8"
LCW062	5/8"	1/8"
LCW075	3/4"	3/16"
LCW100	1"	3/16"

Type P1 short / Type P2 short

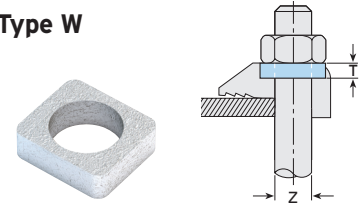


Mild steel, malleable iron, zinc plated / hot dip galv.

Product Code	Bolt Size Z	Dimension T
LP1037S	3/8"	3/16"
LP1050S	1/2"	1/4"
LP1062S	5/8"	5/16"
LP1075S	3/4"	3/8"
LP1100S	1"	1/2"
LP2037S	3/8"	3/8"
LP2050S	1/2"	1/2"
LP2062S	5/8"	5/8"
LP2075S	3/4"	3/4"
LP2100S	1"	1"

Also Available

Type W



Mild steel, malleable iron, zinc plated / hot dip galv.

Product Code	Bolt Size Z	Dimension T
LW037	3/8"	3/16"
LW050	1/2"	1/4"
LW062	5/8"	5/16"
LW075	3/4"	3/8"

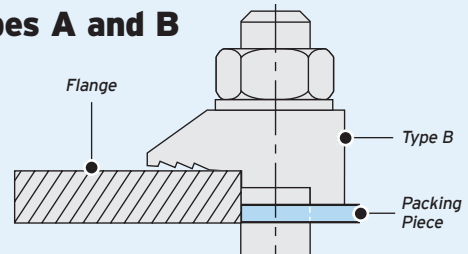
Note: Type W is used to fill the recess in the Type A to convert it into a flat top clamp which enables an A325 structural bolt head or nut to be rotated.

Tail Length / Packing Piece Combinations for Types A and B

Choose the correct combination for your Type A/B configuration using the table below. Please note these calculations are for beams up to and including 5° slopes only.

For example, a 5/8" Type A/B on a 1 1/8" flange requires 1 x Type A/B short tail (S), 2 x Type CW and 1 x Type P2S.

➔ For thicker flanges contact Lindapter.



Flange Thickness	3/8"				1/2"				5/8"				3/4"				1"				
	A/B	CW	P1S	P2S	A/B	CW	P1S	P2S	A/B	CW	P1S	P2S	A/B	CW	P1S	P2S	A/B	CW	P1S	P2S	
3/16"	M	-	-	-	S	-	-	-	-	-	-	-	-	-	-	-	-	-	-	-	-
1/4"	S	1	-	-	M	-	-	-	S	-	-	-	S	-	-	-	-	-	-	-	-
5/16"	L	-	-	-	M	1	-	-	M	-	-	-	S	-	-	-	S	-	-	-	-
3/8"	S	-	1	-	L	-	-	-	S	1	-	-	M	-	-	-	S	-	-	-	-
7/16"	L	2	-	-	M	2	-	-	L	-	-	-	S	1	-	-	M	-	-	-	-
1/2"	L	3	-	-	S	1	1	-	S	2	-	-	L	-	-	-	M	-	-	-	-
9/16"	S	-	-	1	L	2	-	-	L	1	-	-	M	1	-	-	S	1	-	-	-
5/8"	S	1	-	1	L	-	1	-	M	-	1	-	L	1	-	-	L	-	-	-	-
11/16"	L	-	-	1	M	2	1	-	L	2	-	-	S	-	1	-	S	2	-	-	-
3/4"	S	-	1	1	S	1	-	1	L	-	1	-	S	3	-	-	L	1	-	-	-
13/16"	M	-	1	1	M	1	-	1	L	3	-	-	M	-	1	-	L	1	-	-	-
7/8"	L	-	1	1	S	-	1	1	M	2	1	-	M	3	-	-	S	-	1	-	-
15/16"	S	-	-	2	M	-	1	1	M	-	-	1	M	1	1	-	M	-	1	-	-
1"	M	-	-	2	S	1	1	1	L	2	1	-	S	2	1	-	S	1	1	-	-
1 1/16"	L	-	-	2	M	1	1	1	L	-	-	1	S	-	-	1	L	-	1	-	-
1 1/8"	L	1	-	2	S	-	-	2	S	2	-	1	M	2	1	-	L	-	1	-	-
1 3/16"	-	-	-	-	M	-	-	2	L	1	-	1	M	-	-	1	S	2	1	-	-
1 1/4"	-	-	-	-	S	1	-	2	M	-	1	1	S	1	-	1	L	1	1	-	-

A/B = Type A/B | S = Type A/B short | M = Type A/B medium | L = Type A/B long | CW = Type CW | P1S/P2S = Type P1/P2 short

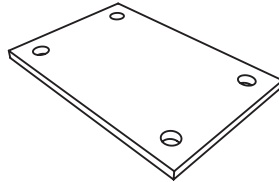
Location and End Plates for Types A and B

These plates ensure the clamps and bolts are located in the correct position relative to the supporting steel. If you would like help choosing a suitable plate, please contact Lindapter.

Location Plate

What is it?

Location plates are simple fabricated items designed to sit between the two sections to be clamped together to ensure the bolts are fixed at the correct centers.

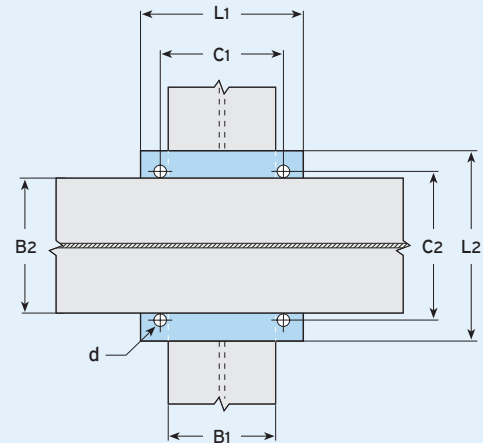


Material: Structural steel grade A36.
For other grades contact Lindapter.

Bolt Size	Hole Ø d	Plate Thickness	Hole Centers C1	Length / Width min L1	Hole Centers C2	Length / Width min L2
3/8"	7/16"	5/16"	$B_1 + 7/16"$	$B_1 + 1\ 3/4"$	$B_2 + 7/16"$	$B_2 + 1\ 3/4"$
1/2"	9/16"	3/8"	$B_1 + 9/16"$	$B_1 + 2\ 1/4"$	$B_2 + 9/16"$	$B_2 + 2\ 1/4"$
5/8"	11/16"	3/8"	$B_1 + 11/16"$	$B_1 + 2\ 3/4"$	$B_2 + 11/16"$	$B_2 + 2\ 3/4"$
3/4"	13/16"	1/2"	$B_1 + 13/16"$	$B_1 + 3\ 1/2"$	$B_2 + 13/16"$	$B_2 + 3\ 1/2"$
1"	1 1/8"	5/8"	$B_1 + 1\ 1/8"$	$B_1 + 4\ 1/4"$	$B_2 + 1\ 1/8"$	$B_2 + 4\ 1/4"$

LOCATION PLATE DIMENSIONS

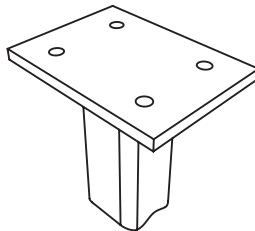
L1 = Location Plate Width, L2 = Location Plate Length,
B1, B2 = Flange Width, C1, C2 = Hole Centers, d = Hole Ø



End Plate

What is it?

End plates are simple fabricated items that are pre-welded to support frames, bracket or sections, allowing connection to the supporting structure with standard Lindapter clamps.

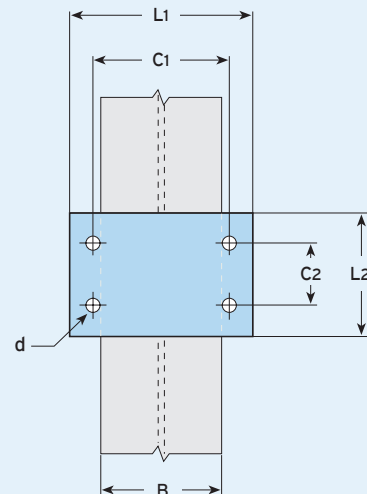


Material: Structural steel grade A36.
For other grades contact Lindapter.

Bolt Size	Hole Ø d	Plate Thickness	Hole Centers C1	Length min L1	Hole Centers min C2	Width min L2
3/8"	7/16"	1/2"	$B + 7/16"$	$B + 1\ 3/4"$	2"	$C_2 + 1\ 5/8"$
1/2"	9/16"	1/2"	$B + 9/16"$	$B + 2\ 1/4"$	$2\ 3/8"$	$C_2 + 2"$
5/8"	11/16"	5/8"	$B + 11/16"$	$B + 2\ 3/4"$	$2\ 7/8"$	$C_2 + 2\ 3/8"$
3/4"	13/16"	7/8"	$B + 13/16"$	$B + 3\ 1/2"$	$3\ 5/8"$	$C_2 + 2\ 3/4"$
1"	1 1/8"	1"	$B + 1\ 1/8"$	$B + 4\ 1/4"$	$4\ 3/8"$	$C_2 + 3\ 5/8"$

END PLATE DIMENSIONS

L1 = End Plate Width, L2 = End Plate Length,
B = Flange Width, C1, C2 = Hole Centers, d = Hole Ø



Use Lindapter's Bolt Length Calculator on [page 6](#) to calculate the correct bolt length for your application.